

# TAMPER-PROOF DUAL THERMOSTAT (PRE-SET)

## FTD 011



- > NO and NC in one casing
- > High switching accuracy
- > Default temperature settings
- > Clip fixing

Two thermostats in one casing:

**Tamper-proof (Pre-set) Thermostat/Contact breaker (NC)** for regulating heaters or for switching signal devices when temperature has fallen below the minimum value. The contact opens when temperature is rising.

**Tamper-proof (Pre-set) Thermostat/Contact maker (NO)** for regulating filter fans, heat exchangers or for switching signal devices when temperature limit has been exceeded. The contact closes when temperature is rising.

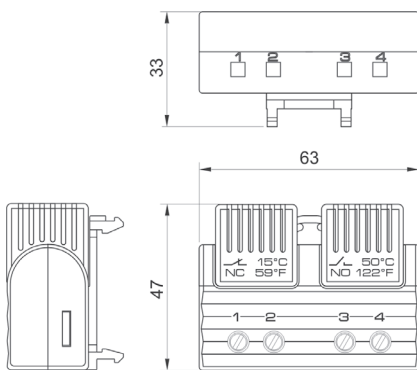
Heaters and cooling equipment can be switched independently from each other with a temperature offset as opposed to the usual change-over contacts.



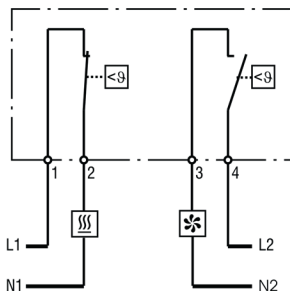
### TECHNICAL DATA

|                               |   |
|-------------------------------|---|
| Sensor element                | thermostatic bimetal  |
| Contact type                  | snap-action contact   |
| Service life                  | > 100,000 cycles  |
| Max. switching capacity       | AC 250 V, 5 (1.6) A / AC 120 V, 10 (2) A<br>DC 30 W   |
| Max. inrush current           | AC 16 A for 10 sec.   |
| Connection                    | 4-pole terminal, clamping torque 0.8 Nm max.:<br>rigid wire 2.5 mm <sup>2</sup> (AWG 14)<br>stranded wire <sup>1</sup> 1.5 mm <sup>2</sup> (AWG 16) |
| Mounting                      | clip for 35 mm DIN rail, EN 60715   |
| Casing                        | plastic according to UL94 V-0, light grey   |
| Dimensions                    | 47 x 63 x 33 mm   |
| Weight                        | approx. 40 g  |
| Fitting position              | variable  |
| Operating/Storage temperature | -40 to +80 °C (-40 to +176 °F) / -45 to +80 °C (-49 to +176 °F)   |
| Operating/Storage humidity    | max. 90 % RH (non-condensing)   |
| Protection type               | IP20  |
| Approvals                     | VDE, UL File No. E164102, EAC   |

<sup>1</sup> When connecting with stranded wires, wire end ferrules must be used.

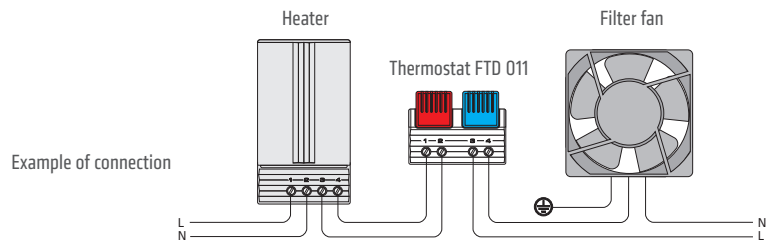


Thermostat FTD 011 (NC/NO)



Connection diagram

- Heater
- Filter fan, Cooling equipment, Signal device



| Art. No.   | Contact breaker (NC)             |                                  | Contact maker (NO)                |                                   |
|------------|----------------------------------|----------------------------------|-----------------------------------|-----------------------------------|
|            | Switch-off temperature           | Switch-on temperature            | Switch-on temperature             | Switch-off temperature            |
| 01163.0-00 | +15 °C / +59 °F (±5 K tolerance) | +5 °C / +41 °F (±5 K tolerance)  | +50 °C / +122 °F (±7 K tolerance) | +40 °C / +104 °F (±6 K tolerance) |
| 01163.0-01 | +25 °C / +77 °F (±5 K tolerance) | +15 °C / +59 °F (±5 K tolerance) | +60 °C / +140 °F (±7 K tolerance) | +50 °C / +122 °F (±7 K tolerance) |
| 01163.0-02 | +15 °C / +59 °F (±5 K tolerance) | +5 °C / +41 °F (±5 K tolerance)  | +35 °C / +95 °F (±7 K tolerance)  | +25 °C / +77 °F (±6 K tolerance)  |
| 01163.0-03 | +25 °C / +77 °F (±5 K tolerance) | +15 °C / +59 °F (±5 K tolerance) | +50 °C / +122 °F (±7 K tolerance) | +40 °C / +104 °F (±6 K tolerance) |

| Art. No.   | Contact maker (NO)                |                                   | Contact maker (NO)                |                                   |
|------------|-----------------------------------|-----------------------------------|-----------------------------------|-----------------------------------|
|            | Switch-on temperature             | Switch-off temperature            | Switch-on temperature             | Switch-off temperature            |
| 01164.0-00 | +50 °C / +122 °F (±7 K tolerance) | +40 °C / +104 °F (±6 K tolerance) | +60 °C / +140 °F (±7 K tolerance) | +50 °C / +122 °F (±7 K tolerance) |

Note: Other switch-off and switch-on temperatures on request.